



520UN/R2 & 520UN/R

Metering and Transfer Pump Auto/Manual Control NEMA 4X Washdown Enclosure

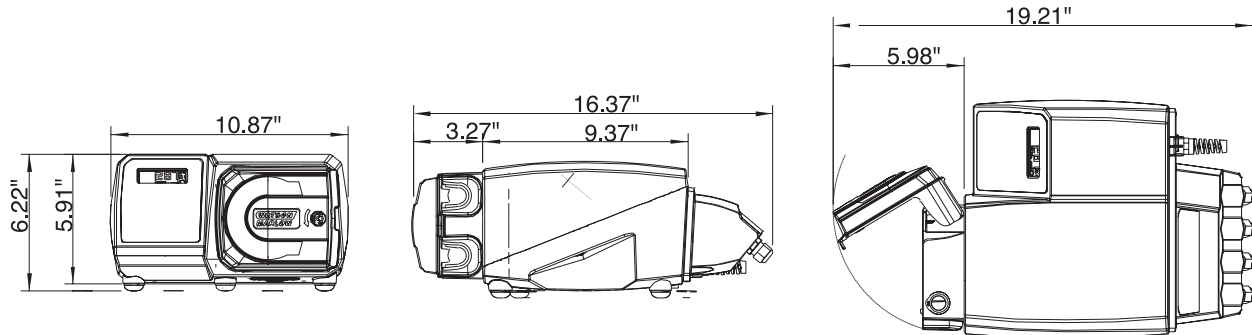
Technical Information and Features

- Flowrates from 0.004 to 3,500 ml/min (0.00006 - 55.5 gph)
- Discharge pressures up to 30 psi
- Operator friendly keypad offering:
 - Start, stop, speed control, fwd/rev
 - Precise manual speed control from 0.1-220 rpm in 0.1 rpm increments
 - Large clear LCD display with accurate digital monitoring for clear RPM and flowrate indication
 - Auto-restart, keypad lock, and rapid prime functions
 - MemoDose feature for manually actuated repetitive discrete volume dispensing
- Precise 2200:1 speed control range from 0.1-220 rpm in 0.1 rpm increments
- Remote speed control via scalable 0-10VDC or 4-20mA analog speed input when in auto mode.
- Analog speed output via 5V square wave
- 4 configurable NO or NC relay contacts for outputs of run/stop, direction, auto/manual status and choice of alarm conditions
- Accepts 24V Industrial logic, 5VTTL or dry contact for run/stop, direction, leak detected, auto/manual toggle and MemoDose footswitch
- Tough NEMA 4X enclosure with excellent chemical resistance rated for high pressure washdown
- Closed loop microprocessor controlled brushless DC motor for excellent speed control, quiet operation, no maintenance and 24Hr duty
- Fitted with easy loading 520R or 520R2 pumpheads featuring:
 - Twin-sprung rollers for high accuracy and gentle pumping of shear sensitive fluids
 - Corrosion resistant PPS rotor and track with 316 Stainless Steel rollers
 - Impact resistant clear guard with tool unlockable safety latch
 - Ergonomic handgrip hub with shaft disengaging clutch for effortless tube loading
 - 520R2 accepts tube sizes #105, 108, 119, 120, 15, 24, 121 and 122 (0.5-9.6mm bore & 2.4mm thick wall)
 - Optional 520R for low pressure applications accepts tube sizes #112, 13, 14, 16, 25, 17, 18 (0.5-8.0mm bore & 1.6mm thin wall)
- Optional Pumpheads include 313/314 easy loading flip top, 505L low pulse and 505CA low flow multi-channel

Flow Rate Ranges with 520R2 or 520R head (ml/min*)

2.4 mm Thick Wall Tube #	105	108	119	120	15	24	121	122
1.6 mm Thin Wall Tube #	112	13	14	16	25	17	18	N/A
Tube Bore	0.5mm	0.8mm	1.6mm	3.2mm	4.8mm	6.4mm	8.0mm	9.6mm
Speed Range (0.1 to 220rpm)	1/50"	1/32"	1/16"	1/8"	3/16"	1/4"	5/16"	3/8"
Neoprene, Sta-Pure™, Chem-Sure™, Tygon®, Platinum-cured silicone	0.004-9.5	0.01-24	0.04-97	0.18-390	0.40-870	0.70-1500	1.1-2400	1.6-3500
Marpene/Bioprene	0.004-9.0	0.01-23	0.04-92	0.17-370	0.38-830	0.67-1500	1.1-2300	1.5-3300
Fluorel™			0.03-70	0.13-280	0.29-630	0.51-1100	0.80-1800	

*1 gal = 3785.4ml



520UN/R2 and 520UN/R

Metering and Transfer Pump Auto/Manual Control NEMA 4X Washdown Enclosure

Technical Specifications

Shipping Weight: 23 lbs
 Maximum Power Consumption: 135 VA
 Supply: 100-120/200-240V, 50-60Hz (voltage selectable)
 Maximum Rotor Speed: 220 RPM
 Enclosure: NEMA 4X
 Operational Temperature Range: 5°C to 40°C
 Noise: max 70dBA at 1 meter

Standards
 Meets all applicable CE and American ETL Standards UL610101A-1

Product Codes

520UN Drive, 220 rpm	056.714N.00A
520R2 Pumphead	053.1011.2L0
520R Pumphead	053.1011.100
Complete 520UN/R2	050.714N.2LA
Complete 520UN/R	050.714N.10A

Materials of Construction

Pumphead

Track, Rotor Body, Rotor Arms: PPS (polyphenylene sulfide) high performance engineering plastic

Rollers and Bearings: 316 SS rollers, low friction stainless steel bearings with PTFE seals

Drive

Casework: Pressure die-cast Aluminum LM24

Coating: Alocrom Pre-treatment, exterior grade polyester powder coat

Keypad: Polyester

Feet: Santoprene

Switch Plate: Glass filled ABS plastic

Rear Blanking Plate: Stainless steel 304

Gearbox nose: Aluminum LM24M

Drive Shaft: Electroless nickel plated carbon steel

Available Tubing Materials:

2.4 mm thick wall for 520R2	1.6 mm thin wall for 520R
Bioprene® (excl. 0.5 & 0.8mm)	(all excl. 9.6mm)
Marprene® (excl. 0.5 & 0.8mm)	Bioprene®
Silicone	Marprene®
Sta-Pure™ (excl. 0.5, 0.8 & 9.6mm)	Silicone
Chem-Sure™ (excl. 0.5, 0.8 & 9.6mm)	Neoprene (excl. 0.5mm)
	Tygon® (excl. 0.5 & 0.8mm)
	Fluorel™ (excl. 0.5 & 0.8mm)
	Sta-Pure™ (excl. 0.5 & 0.8mm)
	Chem-Sure™ (excl. 0.5 & 0.8mm)

The information contained in this document is believed to be correct, but Watson-Marlow Bredel Pumps accepts no liability for any errors it contains, and reserves the right to alter specifications without notice.

Sta-Pure and Chem-Sure are trademarks of W.L. Gore & Associates, Inc.

Tygon is a trademark of Saint-Gobain Corporation

Fluorel is a trademark of 3M Corporation

Watson-Marlow Bredel Pumps

37 UPTON TECHNOLOGY PARK, WILMINGTON, MA 01887-1018
 TEL: 978-658-6168 / FAX: 978-658-0041
 www.watson-marlow.com
 support@wmbpumps.com