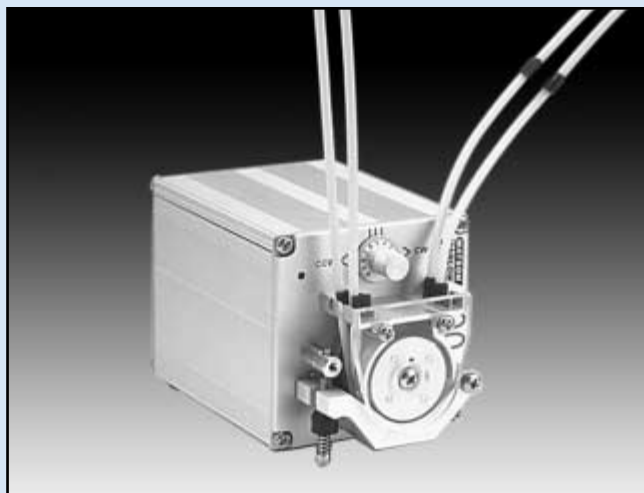


401U/DM2 and 401U/DM3

Ultra Compact MultiChannel Pump

Auto/Manual Control

IP21 Wipedown Enclosure



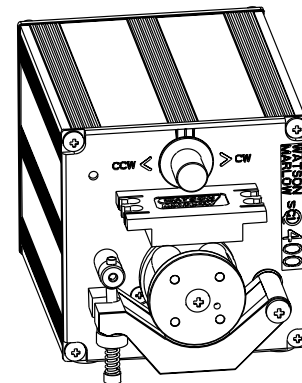
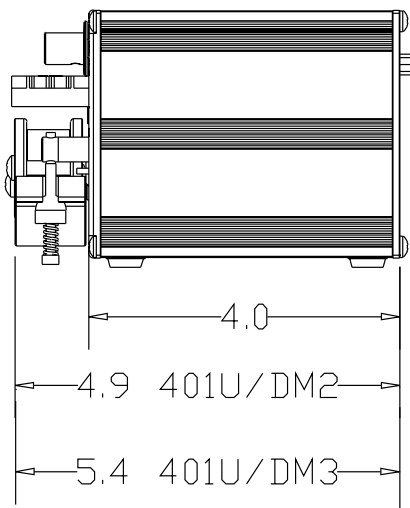
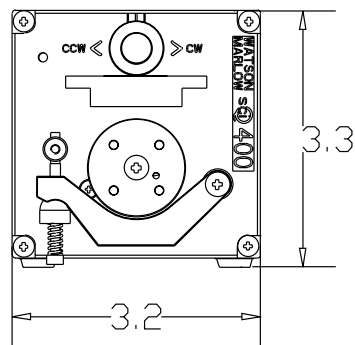
Technical Information and Features

- Flow rates from 0.001 to 36 mL/min
- Single operator friendly handswitch offering fwd/stop/rev and manual speed control
- 10:1 speed control range, available in 1.2-12 rpm, 4.0-40 rpm, and 10-100 rpm versions
- Four optional remote control interface cables available offering:
 - 400AC1: Remote speed control via 0-10VDC analog signal and fwd/stop/rev via dry contact closure
 - 400AC2: Remote speed control via 4-20mA analog signal and fwd/stop/rev via dry contact closure
 - 400AC3: Remote fwd/stop/rev via dry contact closure
 - 400AC4: Start/Stop with footswitch
- IP21 wipedown enclosure for use in dry environments
- Fitted with 400DM2 two channel or 400DM3 three channel pumphead with quick release spring-loaded track, four roller rotor, and adjustable occlusion lever
- Accepts double segment (3 stop) manifold tubing (0.13 – 2.79 mm bore & 0.83 mm wall)

Flow Rate Ranges per Channel (ml/min*)

Tube Color Code	Orange/Black	Orange/Red	Orange/Blue	Orange/Green	Orange/Yellow	Orange/White	Black/Black	Orange/Orange	White/White	Red/Red
Tube Bore	0.13mm	0.19mm	0.25mm	0.38mm	0.50mm	0.63mm	0.76mm	0.88mm	1.02mm	1.14mm
1.2 - 12 rpm	0.001-0.01	0.002-0.02	0.004-0.04	0.01-0.1	0.02-0.2	0.03-0.3	0.04-0.4	0.05-0.5	0.07-0.7	0.08-0.8
4.0 - 40 rpm	0.004-0.04	0.008-0.08	0.014-0.14	0.03-0.3	0.06-0.6	0.09-0.9	0.12-1.2	0.17-1.7	0.22-2.2	0.28-2.8
10 - 100 rpm	0.009-0.09	0.020-0.20	0.035-0.35	0.08-0.8	0.14-1.4	0.22-2.2	0.31-3.1	0.43-4.3	0.55-5.5	0.70-7.0
Tube Color Code	Gray/Gray	Yellow/Yellow	Yellow/Blue	Blue/Blue	Green/Green	Purple/Purple	Purple/Black	Purple/Orange	Purple/White	
Tube Bore	1.29mm	1.42mm	1.52mm	1.65mm	1.85mm	2.05mm	2.38mm	2.54mm	2.79mm	
1.2 - 12 rpm	0.11-1.1	0.13-1.3	0.15-1.5	0.17-1.7	0.21-2.1	0.26-2.6	0.31-3.1	0.37-3.7	0.44-4.4	
4.0 - 40 rpm	0.35-3.5	0.43-4.3	0.49-4.9	0.56-5.6	0.70-7.0	0.85-8.5	1.00-10	1.20-12	1.50-15	
10 - 100 rpm	0.89-8.9	1.10-11	1.20-12	1.40-14	1.80-18	2.10-21	2.60-26	3.10-31	3.60-36	

* 1 gal = 3785.4 ml



Dimensions in inches

401U/DM2 and 401U/DM3

Ultra Compact MultiChannel Pump Auto/Manual Control - IP21 Wipedown Enclosure

Specifications

Shipping Weight: 2.2 lbs

Maximum Power Consumption: 13VA

Supply: 110VAC, 60 Hz with provided 110VAC-15VAC AC adapter

Maximum Rotor Speeds: 12rpm, 40rpm, or 100 rpm versions available

Enclosure: IP21 wipedown

Operational Temperature Range: 5°C to 40°C (41°F to 104°F)

Noise: <70dBA at 1 meter

Standards: Equipment complies with all applicable CE directives

Product Codes

401U/DM2	2 channel, 12 rpm	040.181D.M2A
401U/DM2	2 channel, 40 rpm	040.1H1D.M2A
401U/DM2	2 channel, 100 rpm	040.1P1D.M2A
401U/DM3	3 channel, 12 rpm	040.181D.M3A
401U/DM3	3 channel, 40 rpm	040.1H1D.M3A
401U/DM3	3 channel, 100 rpm	040.1P1D.M3A

Accessory Auto Control Cables (5' pigtail)

Cable 400AC1: 0-10VDC, Fwd/Stop/Rev	049.0011.000
Cable 400AC2: 4-20mA, Fwd/Stop/Rev	049.0031.000
Cable 400AC3: Fwd/Stop/Rev	049.0051.000
Cable 400AC4: Start/Stop with footswitch (10')	049.0071.000

The information contained in this document is believed to be correct, but Watson-Marlow Bredel Pumps accepts no liability for any errors it contains, and reserves the right to alter specifications without notice. Watson-Marlow and Marprene are registered trademarks of Watson-Marlow Limited.

Materials of Construction

Pumphead

Track: Extruded anodized aluminum

Rollers: Acetal

Rotor: Aluminum

Drive

Housing: Extruded anodized aluminum

Front Plate: Anodized aluminum

Available Tubing Materials

Marprene® (excl. 0.13 & 0.19 mm)

Silicone (excl. 0.13, 0.19, 0.25, 0.38, 0.50 mm)

PVC

Watson-Marlow Bredel Pumps

37 UPTON TECHNOLOGY PARK, WILMINGTON, MA 01887-1018

TEL: 978-658-6168 / FAX: 978-658-0041

www.watson-marlow.com

support@wmbpumps.com

wd-401udm-us-01